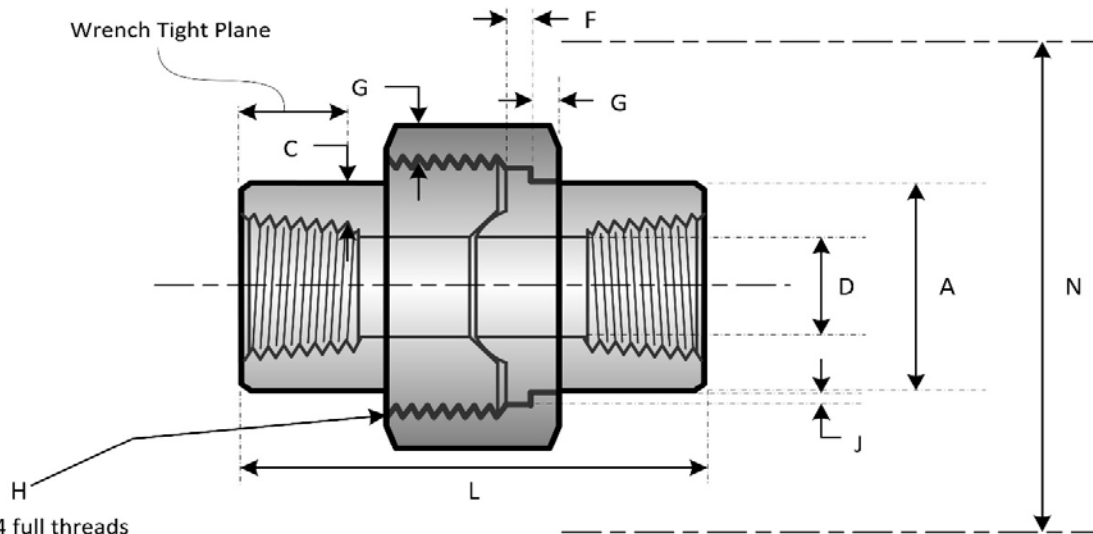


## Dimensions of Class 3000 Threaded Unions- MSS SP-83



Minimum 4 full threads  
engagement Class 2A/2B fit  
ASME B1.1

Nominal Pipe Size NPS	Pipe End Min. A	Wall Thickness Min. C	Waterway Bore Max/Min <sup>(1)</sup> D	Male Flange Min. F	Nut Thickness Min. G	Threads Per Inch H	Bearing Surface Min. J	Assem. Length Nominal L	Clear Assem. Nut N
1/8	0.58	0.095	0.332 0.253	0.125	0.125	16	0.049	1.63	2.0
1/4	0.75	0.119	0.438 0.372	0.125	0.125	16	0.049	1.63	2.0
3/8	0.90	0.126	0.562 0.532	0.135	0.135	14	0.054	1.81	2.2
1/2	1.09	0.147	0.703 0.672	0.145	0.145	14	0.059	1.93	2.3
3/4	1.32	0.154	0.906 0.842	0.160	0.160	11	0.066	2.24	2.6
1	1.63	0.179	1.141 1.092	0.180	0.175	11	0.073	2.44	3.1
1 1/4	1.99	0.191	1.484 1.392	0.210	0.205	10	0.084	2.80	3.7
1 1/2	2.25	0.200	1.714 1.622	0.230	0.220	10	0.091	3.01	4.4
2	2.76	0.218	2.188 2.052	0.260	0.250	10	0.106	3.39	5.2
2 1/2	3.36	0.276	2.609 2.532	0.295	0.280	8	0.121	4.03	5.9
3	4.03	0.300	3.250 3.042	0.325	0.315	8	0.139	4.29	6.9

All dimensions are given in inches.

Threaded ends per ASME B1.20.1

Notes:

(1) The contact diameter of the male/female tailpiece is affected by the waterway bore (D).

Trans Am

Piping Products Ltd.