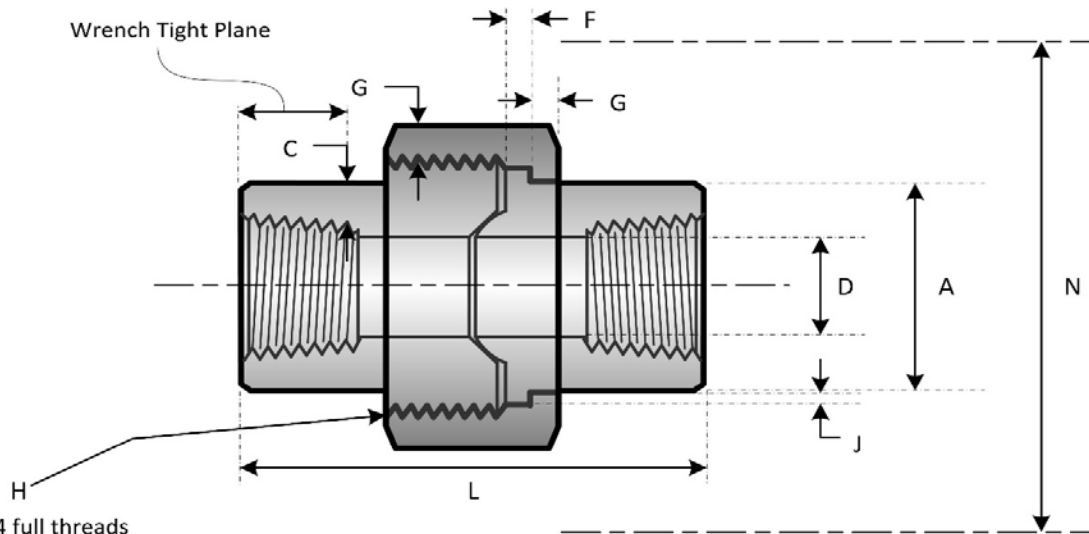


Dimensions of Class 6000 Threaded Unions- MSS SP-83



Minimum 4 full threads
engagement Class 2A/2B fit
ASME B1.1

Nominal Pipe Size NPS	Pipe End Min. A	Wall Thickness Min. C	Waterway Bore Max/Min ⁽¹⁾ D	Male Flange Min. E	Nut Thickness Min. F	Threads Per Inch G	Bearing Surface Min. H	Assem. Length Nominal I	Clear Assem. Nut J
1/8	0.65	0.124	0.332 0.126	0.125	0.125	16	0.049	1.63	2.0
1/4	0.83	0.145	0.438 0.220	0.135	0.135	14	0.054	1.81	2.2
3/8	0.99	0.158	0.562 0.329	0.145	0.145	14	0.059	1.93	2.3
1/2	1.22	0.188	0.703 0.434	0.160	0.160	11	0.066	2.24	2.6
3/4	1.49	0.219	0.906 0.582	0.180	0.175	11	0.073	2.44	3.1
1	1.82	0.250	1.141 0.785	0.210	0.205	10	0.084	2.80	3.7
1 1/4	2.16	0.250	1.484 1.130	0.230	0.220	10	0.091	3.01	4.4
1 1/2	2.46	0.281	1.714 1.308	0.260	0.250	10	0.106	3.39	5.2
2	3.06	0.344	2.188 1.657	0.295	0.280	8	0.121	4.03	5.9
2 1/2	3.63	0.375	2.609 2.095	0.325	0.315	8	0.139	4.29	6.9
3	4.38	0.438	3.250 2.594	0.401	0.401	8	0.160	7.50	7.9

All dimensions are given in inches.

Threaded ends per ASME B1.20.1

Notes:

(1) The contact diameter of the male/female tailpiece is affected by the waterway bore (D).

Trans Am
Piping Products Ltd.